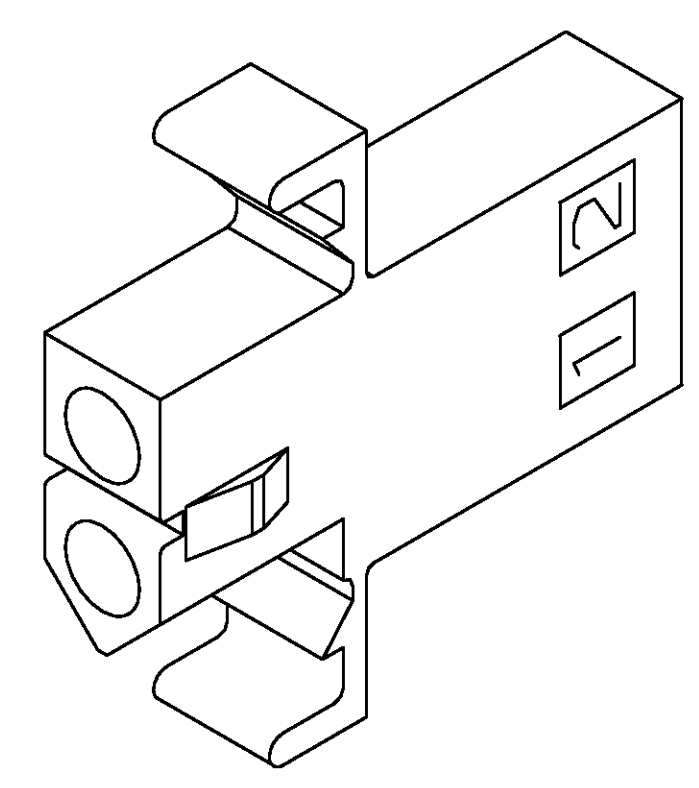
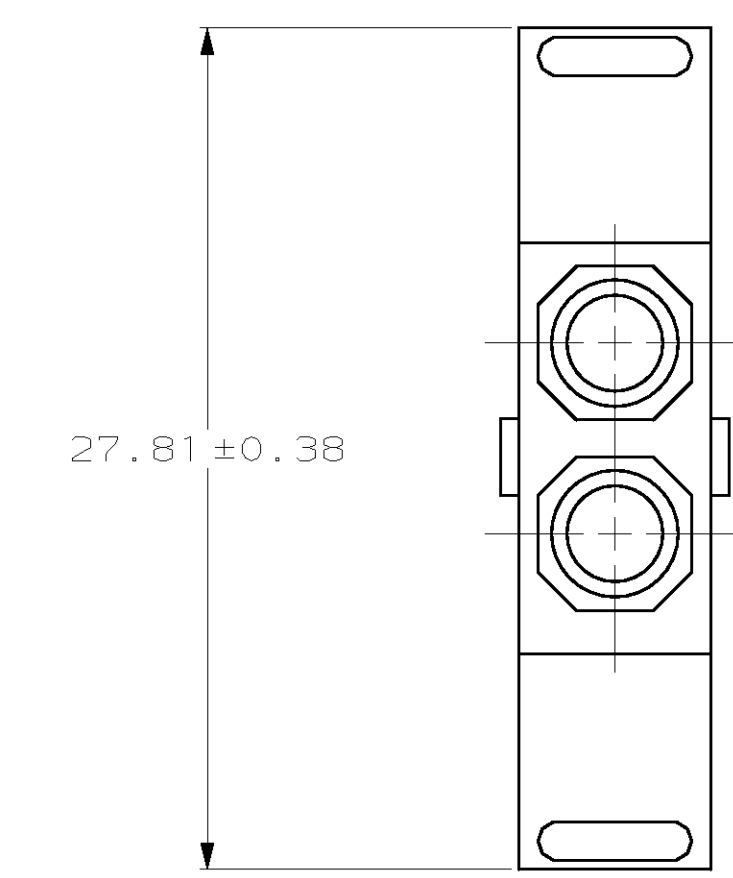
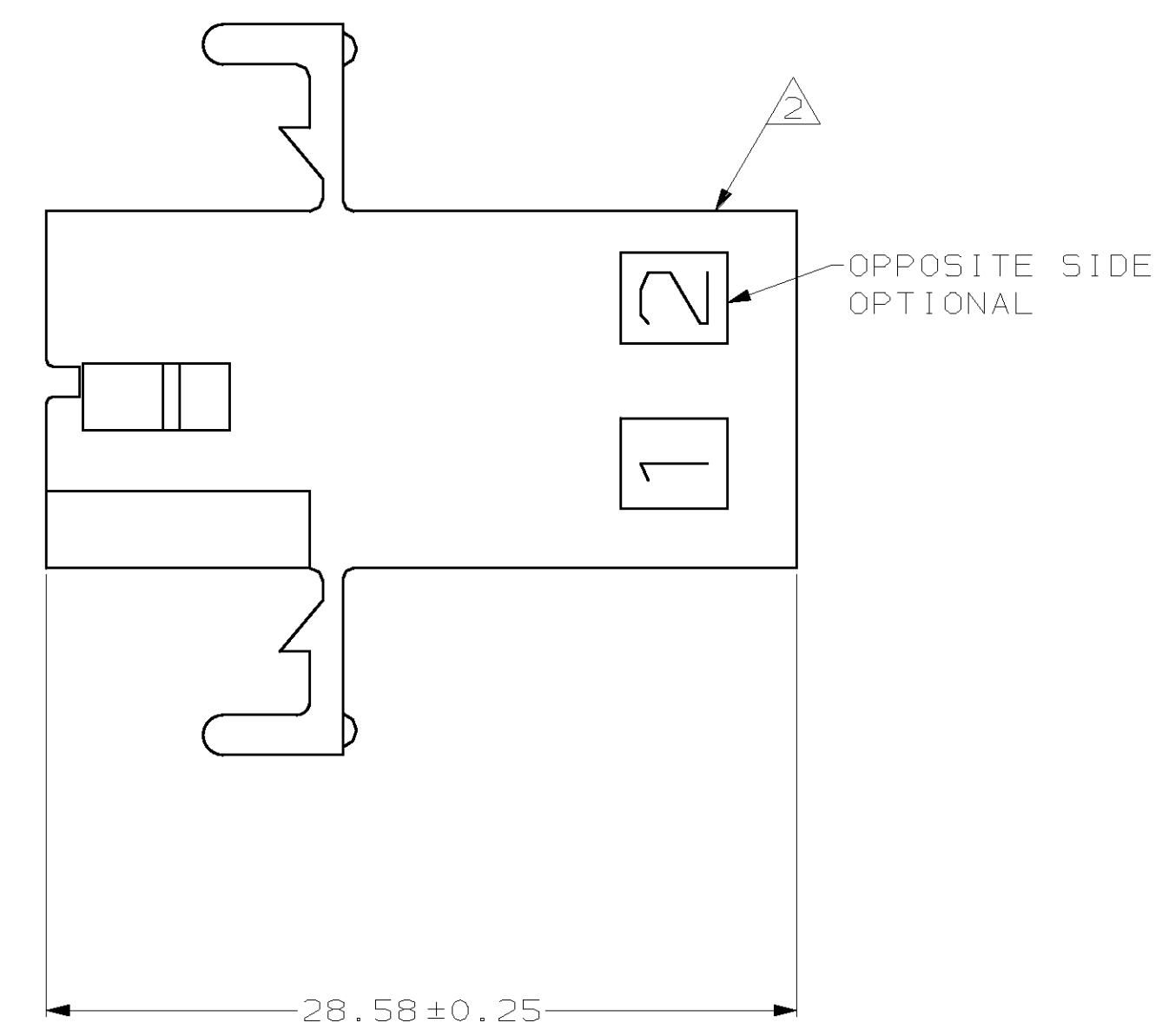
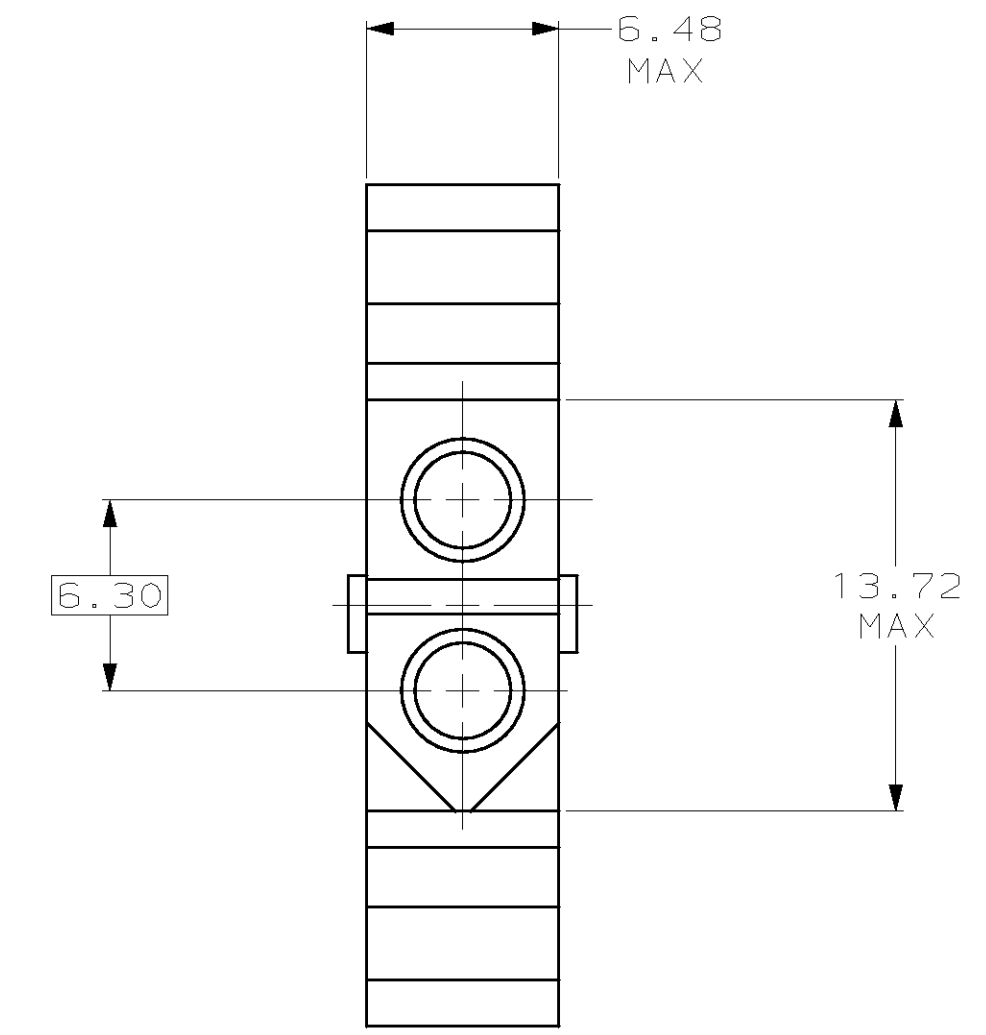
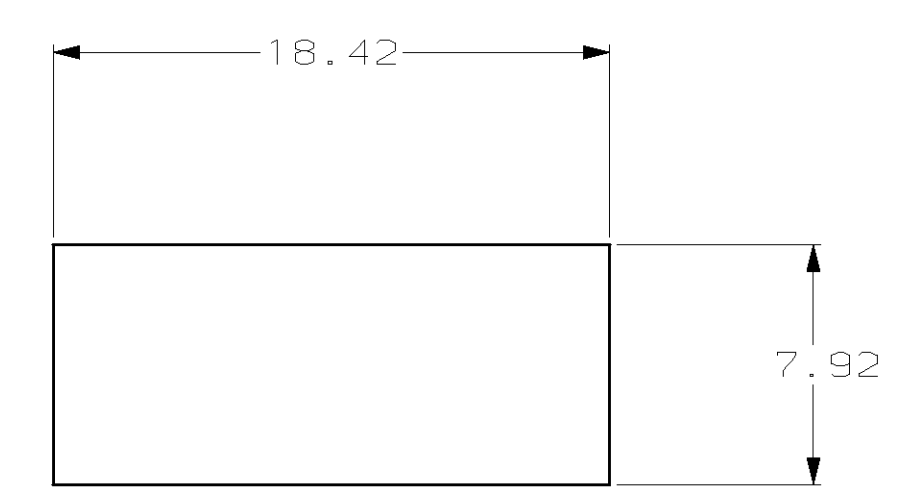


LOC	QTY	REV	DATE	BY	CHK	APPV
CM	53	K	2-11-98	KW	RS	

- 1. RECOMMENDED PANEL THICKNESS 2.29 MAX.
- 2. MARKING FOR UL AND CSA LOGOS LOCATED ON THIS SURFACE.



3-DIMENSIONAL MODEL NTS



RECOMMENDED PANEL CUT OUT

28.58	1.125
27.81	1.095
18.42	.725
13.72	.540
7.92	.312
6.48	.255
6.30	.248
2.36	.093
2.29	.090
0.38	.015
0.25	.010
0.13	.005
MM	IN

CONVERSION TABLE



770066-1  
PART NUMBER

THIS DRAWING IS A CONTROLLED DOCUMENT.		DWN K. WHITAKER	2-11-98	<b>AMP</b> AMP Incorporated Harrisburg, PA 17105-3608
		CHK R. SWING	2-11-98	
DIMENSIONS:		PRODUCT SPEC		RECEPTACLE, 2 CIRCUIT, .093 PIN AND SOCKET
TOLERANCES UNLESS OTHERWISE SPECIFIED:		APPLICATION SPEC		
0.13	±	MATERIAL NYLON, JL 94V-2, NATURAL		SIZE A1
0.25	±	FINISH		SCALE 4:1
0.38	±	HEIGHT		SHEET 1 OF 1
0.63	±	CUSTOMER DRAWING		REV K